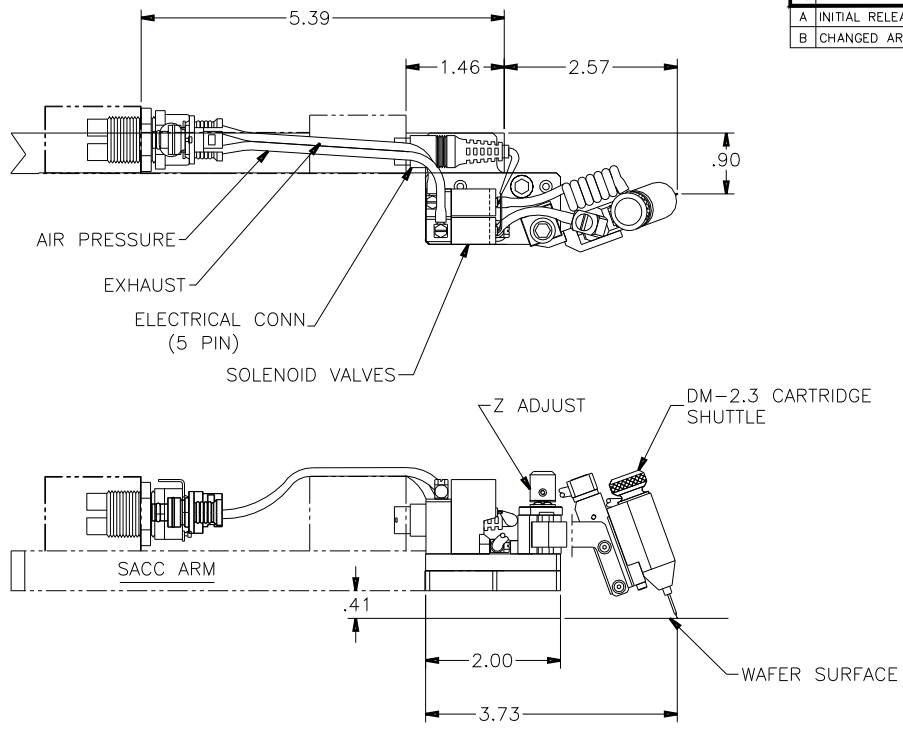


Copyright Xanbex Inc. All Rights Reserved.  
 The information disclosed herein is deemed to be confidential, proprietary, and is to be used only for the purposes for which it was provided. No part of this information may be used, reproduced or disclosed without the express written consent of Xanbex Inc.

REVISIONS					
REV	DESCRIPTION	ECO	BY	DATE	APPROVED
A	INITIAL RELEASE	12777	JMc	10/30/96	DT
B	CHANGED ARM/KNOB	1434	JMc	03/18/97	



NOTES:

1. INKER IS FOR USE ON TEL P8 SERIES PROBERS.
2. INKER INSTALLS ON PROBER SACC ARM.
3. RETROFIT KIT IS REQUIRED, CONTACT TOKYO ELECTRON FOR FURTHER INFORMATION.
4. INKER USES DM2.3 CARTRIDGE.
5. SHUTTLE TRAVELS .050/.060 FROM POSITION SHOWN TO DEPOSIT INK ON WAFER, INKER IS SHOWN IN NOMINAL INKING POSITION WITH Z ADJUSTMENT CAPABILITY OF  $\pm .100$
6. INKER HAS NO X-Y ADJUSTMENT CAPABILITY.
7. ORDER INKER KIT PART NUMBER 340-5200.

FILE NAME	ITEM	QTY	PART NUMBER	DESCRIPTION
9005200B				
APPROVALS	DATE	INTERPRET DRAWING		
BY: JMc	10/30/96	PER ANSI Y14.5 - 1982		
		TOLERANCES		
		UNLESS OTHERWISE SPECIFIED		
		DIMENSIONS ARE IN INCHES		
		DECIMALS		
		FRACTIONS ±		
		ANGLES ±1°		
		6.3 / ALL SURFACES		
NEXT ASSURANCE USED ON		DO NOT SCALE DRAWING		
340-5200		SIZE	SCALE	SHEET
		C	1/1	1 of 1
		DRAWING NUMBER		REV
		900-5200		B

**XANBEX** 1125 N. McDOWELL BLVD.  
 PETALUMA, CA 95954  
 (707) 763 7799

TITLE PNEUMATIC INKER, TEL P8  
 SACC ARM