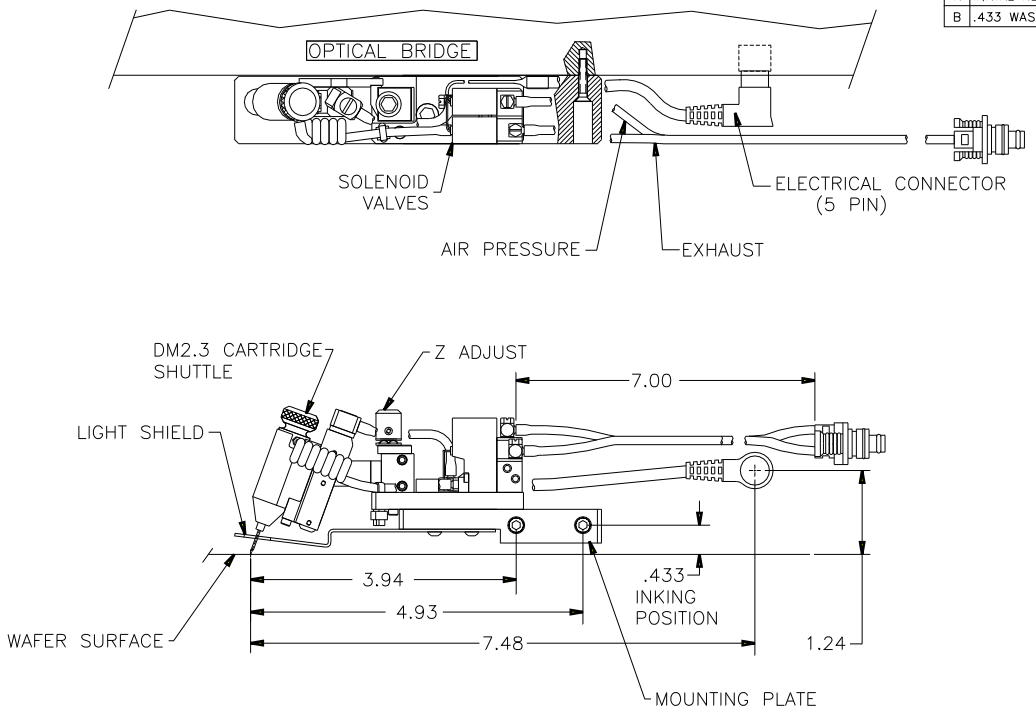


Copyright Xanex Inc. All rights reserved.  
 The information disclosed herein is deemed to be confidential, proprietary, and a trade secret of Xanex, Inc. This information may not be used, reproduced or disclosed without the express, written consent of Xanex, Inc.

REVISIONS					
REV	DESCRIPTION	ECO	BY	DATE	APPROVED
A	INITIAL RELEASE	1277	JMc	10/30/96	DT
B	.433 WAS .47/CHNG KNOB	1434	JMc	03/18/97	



NOTES:

1. INKER IS FOR USE ON TEL P8 SERIES PROBERS.
2. INKER INSTALLS ON PROBER OPTICAL BRIDGE.
3. RETROFIT KIT IS REQUIRED, CONTACT TOKYO ELECTRON FOR FURTHER INFORMATION.
4. INKER USES DM2.3 CARTRIDGE.
5. SHUTTLE TRAVELS .050 FROM POSITION SHOWN TO DEPOSIT INK ON WAFER, INKER IS SHOWN IN NOMINAL INKING POSITION WITH Z ADJUSTMENT CAPABILITY OF  $\pm .100$ .
6. INKER HAS NO X-Y ADJUSTMENT CAPABILITY.
7. ORDER INKER KIT PART NUMBER 340-5210.

FILE NAME	9005210B	ITEM	QTY	PART NUMBER	DESCRIPTION
APPROVALS	DATE	INTERPRET DRAWING			1125 N. McDOWELL BLVD. PETALUMA, CA 95954 (707) 763 7799
DRAWN	JMc	10/30/96 PER ANSI Y14.5 - 1982			
DESIGNED		TOLERANCES UNLESS OTHERWISE SPECIFIED			<b>XANEX</b> TITLE PNEUMATIC INKER, TEL P8 OPTICAL BRIDGE DO NOT SCALE DRAWING
CHKD		DIMENSIONS ARE IN INCHES			
DATE		DECIMALS			
BY		FRACTIONS $\pm$			
DATE		ANGLES $\pm 1^\circ$			
BY		SURFACES $\frac{6.3}{\sqrt{\text{ALL SURFACES}}}$			
DATE		NEXT ASSEMBLY USED ON			
SIZE	C	SCALE	1/1	SHEET	1 of 1
DRAWING NUMBER				900-5210	REV
					B