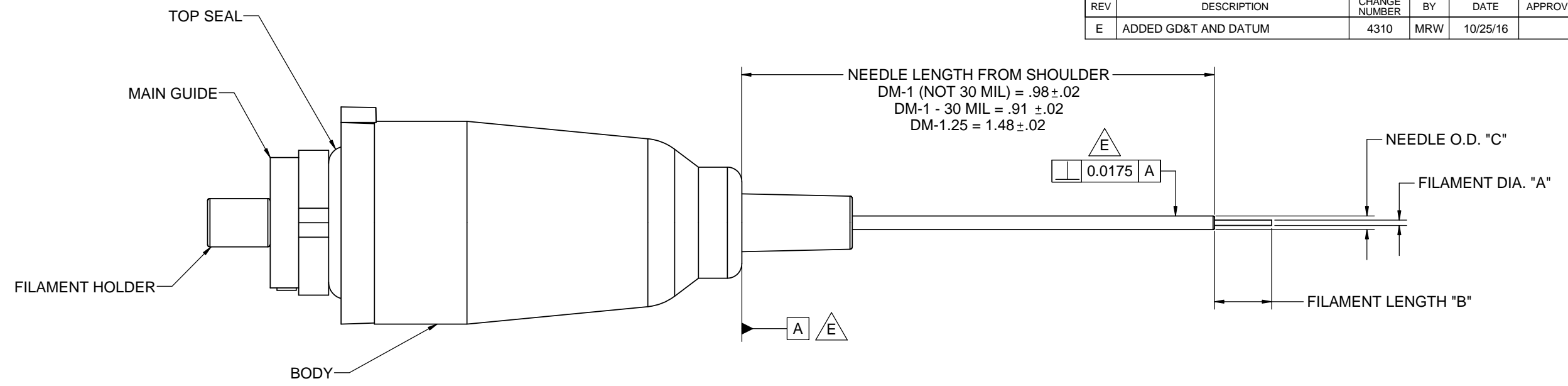
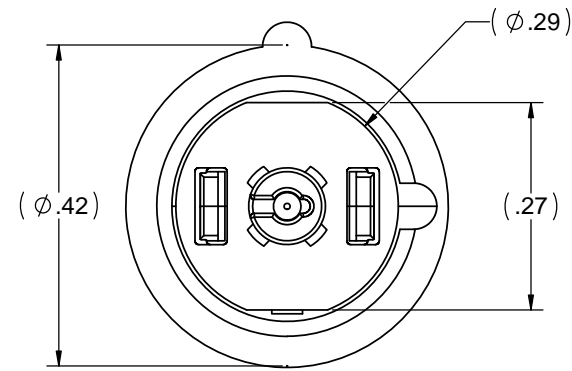


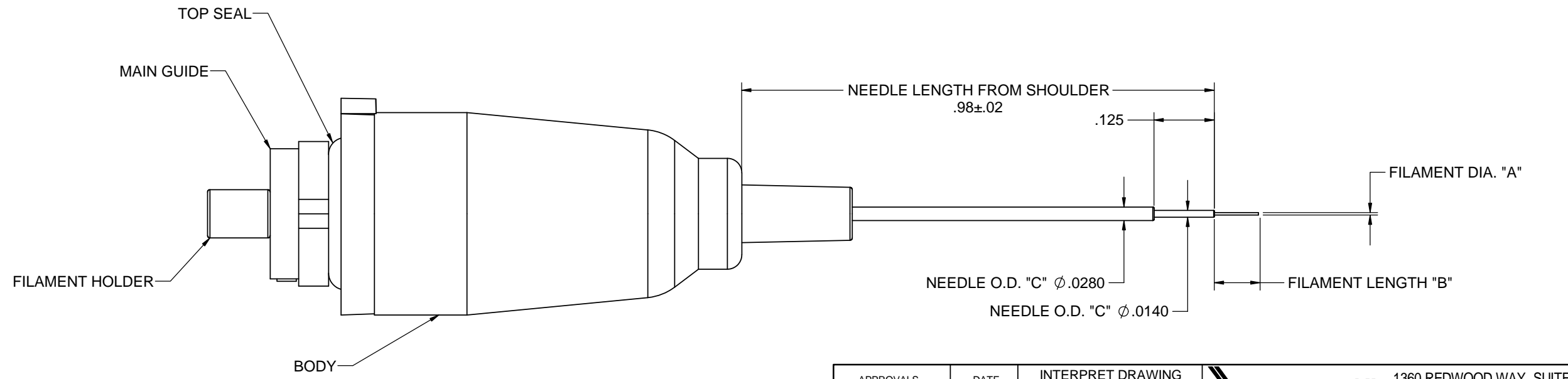
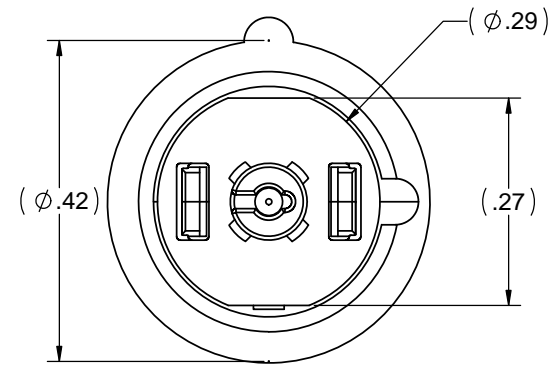
© Copyright Xandex Inc., All Rights Reserved. The information disclosed herein is deemed to be confidential, proprietary, and a trade secret of Xandex, Inc. This information may not be used, reproduced or disclosed without the expressed prior written consent of Xandex, Inc.

REVISIONS					
REV	DESCRIPTION	CHANGE NUMBER	BY	DATE	APPROVED
E	ADDED GD&T AND DATUM	4310	MRW	10/25/16	



**DM-1/1.25 CARTRIDGE (NOT 5 MIL)**

MODEL	CARTRIDGE SIZE/TYPE	NOMINAL FILAMENT DIAMETER A	FILAMENT LENGTH B [1]	NEEDLE O.D. +.0005/- .0000 C
DM-1 ONLY	5/TUNGSTEN	4.0 MIL	.090-.100	.0140/.0280
DM-1 ONLY	5/FILAMENT	4.0 MIL	.090-.100	.0140/.0280
DM-1 ONLY	8/FILAMENT	7.0 MIL	.120-.125	.0280
DM-1 & 1.25	10/FILAMENT	9.0 MIL	.120-.125	.0280
DM-1 & 1.25	15/FILAMENT	11.0 MIL	.120-.125	.0280
DM-1 & 1.25	25/FILAMENT	16.0 MIL	.120-.125	.0355
DM-1 ONLY	30/FILAMENT	20.0 MIL	.120-.125	.0500



**DM-1 CARTRIDGE 5 MIL ONLY**

NOTES:

[1] FILAMENT LENGTH APPLIES WHEN THE CARTRIDGE IS SEALED AND THE FILAMENT HOLDER IS PRESSED AGAINST THE MAIN GUIDE.

APPROVALS	DATE	INTERPRET DRAWING PER ASME Y14.5M-1994		1360 REDWOOD WAY, SUITE A PETALUMA, CA 94954 (707) 763-7799	
DRAWN R.KEREK	8/21/2006	TOLERANCES UNLESS OTHERWISE SPECIFIED DIMENSIONS ARE IN INCHES		TITLE <b>DM-1 CARTRIDGE OUTLINE DRAWING</b>	
CHECKED		DECIMALS 1 PL ±.1 FRACTIONS ±	DO NOT SCALE DRAWING		
ENGRG M.LEVIN	8/21/2006	2 PL ±.01 ANGLES ± 1°	SIZE <b>D</b>	SCALE <b>8:1</b>	SHEET <b>1</b> OF <b>1</b>
NEXT ASSEMBLIES.....USED ON		3 PL ±.005	DRAWING NUMBER <b>901-0035</b>		REV <b>E</b>
		4 PL ±	63 / ALL SURFACES		

