

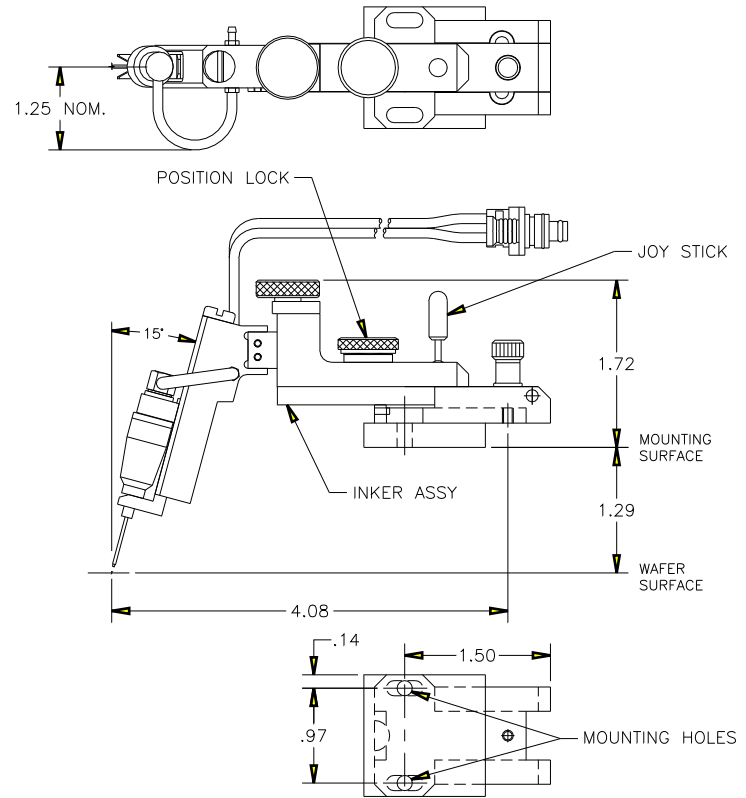
REVISIONS					
REV	DESCRIPTION	ECO	BY	DATE	APPROVED
A	INITIAL RELEASE	680	HG	10/23/95	

NOTES:

1. INKER FOR PWS PROBER, OFF LINE OR CABLED PROBING.
2. THIS INKER USES THE DM-2 CARTRIDGE ONLY.
3. INKER ARM IS ADJUSTABLE ALONG THE "Z" AXIS BY $\pm .188$.
4. JOYSTICK PROVIDES "X" AND "Y" AXIS MOVEMENT AT THE TIP OF THE CARTRIDGE NEEDLE.
5. ALL DIMENSIONS SHOWN WITH ADJUSTMENTS IN NEUTRAL POSITION.

FILE NAME 9000080B	ITEM	QTY	PART NUMBER	DESCRIPTION		
APPROVALS	DATE	INTERPRET DRAWING PER ANSI Y14.5 - 1982				
DRAWN HOLLY G.	10/23/95	1125 N. McDOWELL BLVD. PETALUMA, CA 95954 (707) 763 7799				
CHECKED		TOLERANCES UNLESS OTHERWISE SPECIFIED				
DATE		TITLE PNEUMATIC INKER, X1300 (KIT #340-1300)				
ENGR		DIMENSIONS ARE IN INCHES DECIMALS				
ENGR		DO NOT SCALE DRAWING				
NEXT ASSEMBLIES.....USED ON		SIZE	SCALE	SHEET	DRAWING NUMBER	REV
		A	1/1	1 of 2	900-0080	B

REVISIONS					
REV	DESCRIPTION	ECO	BY	DATE	APPROVED
-	SEE SHEET 1				



		TITLE PNEUMATIC INKER, X1300 (KIT #340-1300)			
1125 N. McDOWELL BLVD. PETALUMA, CA 95954 (707) 763 7799		FILE NAME	DO NOT SCALE DRAWING		
SIZE	SCALE	SHEET	DRAWING NUMBER	REV	
A	1/1	2 of 2	900-0080	B	