

©Copyright Xandex Inc., All Rights Reserved.
 The information disclosed herein is deemed to be confidential, proprietary, and a trade secret of Xandex, Inc. This information may not be used, reproduced or disclosed without the express prior written consent of Xandex, Inc.

REVISIONS

REV	DESCRIPTION	CHANGE NUMBER	BY	DATE	APPROVED
C	UPDATE TITLE BLOCK	4366	MRW	11/30/17	<i>JB</i>

NOTES:

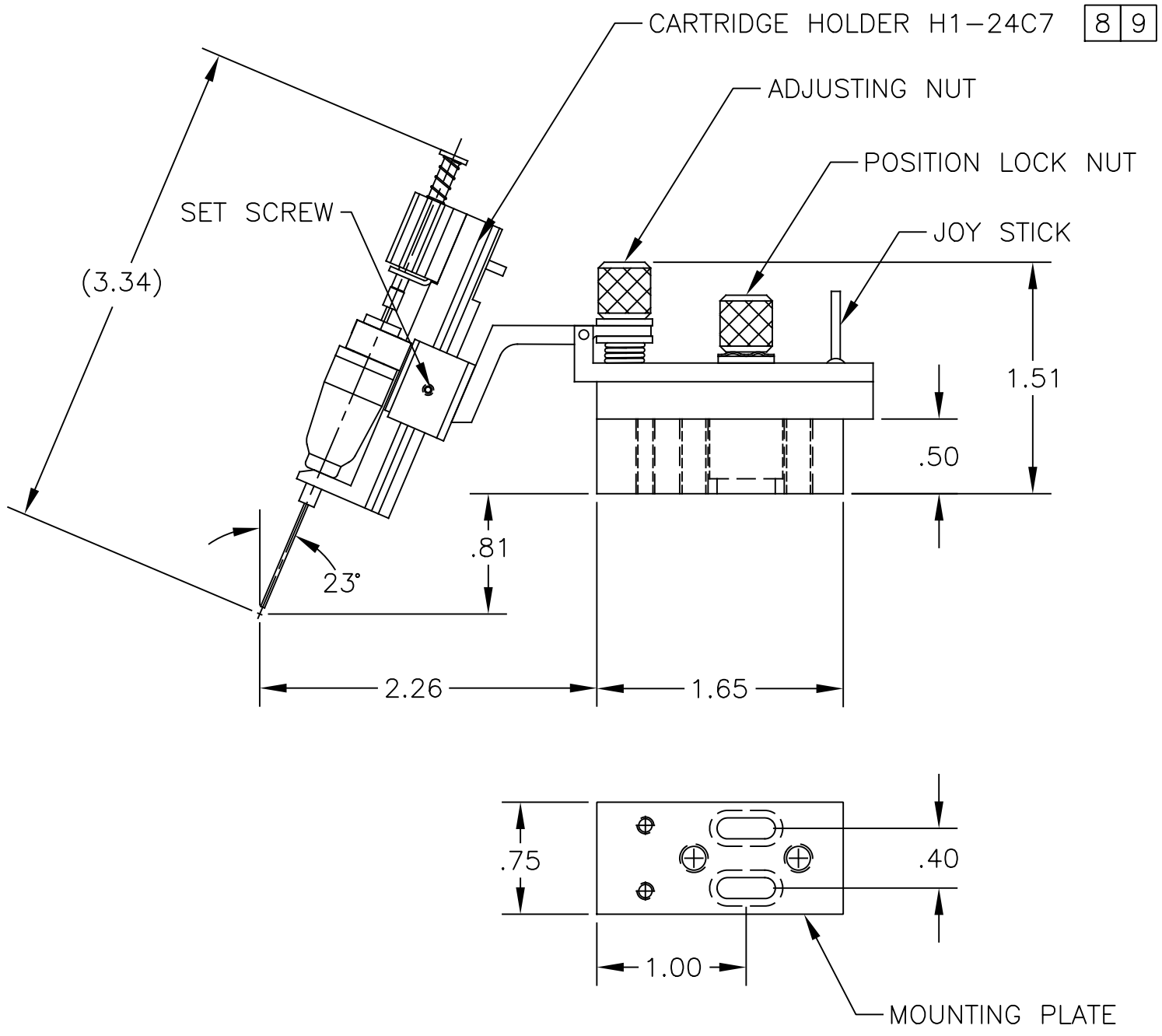
1. FOR USE WITH TEL OR KLA 1000 SERIES PROBERS, CABLED PROBING APPLICATION.
2. MOUNTING PLATE IS CONNECTED TO PROBER USING TWO M3-.5 X 6MM PAN HD. SCREWS.
3. THIS INKER USES THE DM-1 AND DM-1.25 CARTRIDGES ONLY.
4. THE SWIVEL ARM IS ADJUSTABLE ALONG THE "Z" AXIS BY ±.187.
5. THE JOY STICK PROVIDES "X" AND "Y" AXIS MOVEMENT AT THE TIP OF THE CARTRIDGE NEEDLE.
6. ALL DIMENSIONS SHOWN WITH ADJUSTMENTS IN NEUTRAL POSITION.
7. HOLDER ALLOWS ADDITIONAL ADJUSTMENT OF "Z" AXIS BY MOVING SLIDE BRACKET.
8. COMPONENTS MAY BE ORDERED SEPARATELY: INKER BASE 303 (#320-0303) AND CARTRIDGE HOLDER H1-24C7 (#310-1232). OR FOR 5 MIL CARTRIDGES USE HOLDER H2-24G7 (#310-2232).
9. FOR 5 MIL CARTRIDGES, RETROFIT CARTRIDGE HOLDER USING PLUNGER STOP ASSEMBLY #210-0016.

APPROVALS	DATE	ITEM	QTY	PART NUMBER	DESCRIPTION	
DRAWN T. RUFF CHECKED <i>[Signature]</i> ENGRG DAVE T.	02/03/97 12/7/17 02/03/97			INTERPRET DRAWING PER ASME Y14.5M-1994 TOLERANCES UNLESS OTHERWISE SPECIFIED	<div style="display: flex; align-items: center;"> <div> <p>1360 REDWOOD WAY, SUITE A PETALUMA, CA 94954 (707) 763 7799</p> </div> </div>	
NEXT ASSEMBLIES.....USED ON						
DIMENSIONS ARE IN INCHES <u>DECIMALS</u> 1 PL ± FRACTIONS ± 2 PL ±.010 ANGLES ±1° 3 PL ±.005 4 PL ± 63/100 ALL SURFACES					TITLE INKER MODEL KLA 303 (KIT #330-1303)	
DO NOT SCALE DRAWING						
		SIZE	SCALE	SHEET	DRAWING NUMBER	REV
		A	1/1	1 OF 2	900-0099	C

© Copyright Xandex Inc., All Rights Reserved.
 The information disclosed herein is deemed to be confidential, proprietary, and a trade secret of Xandex, Inc. This information may not be used, reproduced or disclosed without the express prior written consent of Xandex, Inc.

REVISIONS

REV	DESCRIPTION	CHANGE NUMBER	BY	DATE	APPROVED
-	SEE SHEET 1				



1360 REDWOOD WAY, SUITE A
 PETALUMA, CA 94954
 (707) 763 7799

TITLE INKER MODEL KLA 303
 (KIT #330-1303)

SEE SHEET 1 FOR NOTES AND TOLERANCE INFORMATION			DO NOT SCALE DRAWING		
SIZE A	SCALE 1/1	SHEET 2 OF 2	DRAWING NUMBER 900-0099	REV C	