


©Copyright Xandex Inc., All Rights Reserved.
 The information disclosed herein is deemed to be confidential, proprietary, and a trade secret of Xandex, Inc. This information may not be used, reproduced or disclosed without the express prior written consent of Xandex, Inc.

REVISIONS

REV	DESCRIPTION	CHANGE NUMBER	BY	DATE	APPROVED
B	REDRAWN ON CADD	1579	JMc	12/24/97	DT
C	ADD .050 DIM	1647	JMc	08/25/98	DT

NOTES:

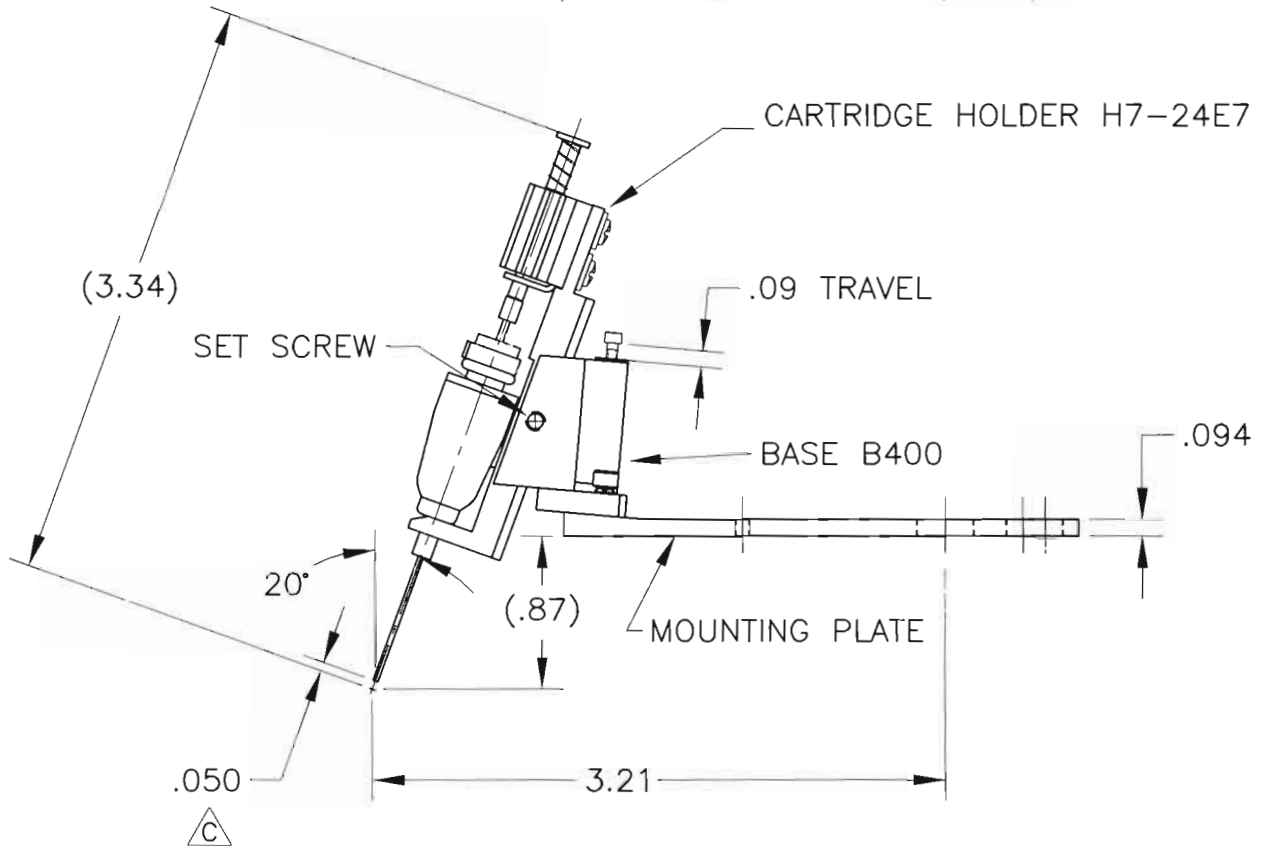
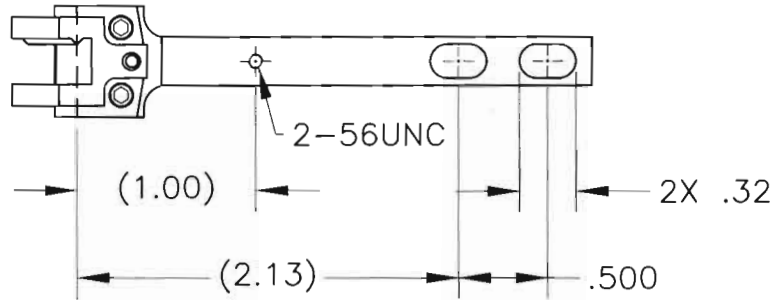
1. FOR ADVANTEST 3340 AND 3342 WITH ALL PROBERS, OVERHEAD TEST APPLICATION.
 ELECTROGLAS PROBER: INKER MODEL EG405 (KIT #330-0405)
 KLA PROBER: INKER MODEL KLA 405 (KIT #330-1405)
2. MOUNTING PLATE IS CONNECTED TO INTERFACE USING TWO 10-32 SCREWS.
3. HEX KEY WRENCHES ARE SUPPLIED WITH THIS UNIT.
4. THIS INKER USES THE DM-1 AND DM-1.25 CARTRIDGES ONLY.
5. ALL DIMENSIONS SHOWN WITH ADJUSTMENTS IN NEUTRAL POSITION.
6. HOLDER ALLOWS ADJUSTMENT OF "Z" AXIS BY MOVING IN SLIDE BRACKET.
7. COMPONENTS MAY BE ORDERED SEPARATELY: INKER BASE B400 (#320-0400) AND CARTRIDGE HOLDER H7-24E7 (#310-7252).
8. FOR 5 MIL CARTRIDGES, RETROFIT CARTRIDGE HOLDER USING PLUNGER STOP ASSEMBLY #210-0016.

FILE NAME 9000104C	ITEM	QTY	PART NUMBER	DESCRIPTION		
APPROVALS	DATE			 1125 N. McDOWELL BLVD. PETALUMA, CA 95954 (707) 763 7799		
DRAWN JMc	11/26/97					
DESIGNED JMc	8/31/98					
CHECKED JMc	9/14/98					
ENGINEER JMc	9/14/98			TITLE INKER MODEL 405		
MFG ENGINEER JMc	9/11/98					
NEXT ASSEMBLIES USED ON				DO NOT SCALE DRAWING		
1 PL ± FRACTIONS ± 2 PL ±.010 ANGLES ±1° 3 PL ±.005 4 PL ± 63/100 ALL SURFACES		SIZE	SCALE	SHEET	DRAWING NUMBER	REV
		A	1/1	1 OF 2	900-0104	C

©Copyright Xandex Inc., All Rights Reserved.
 The information disclosed herein is deemed to be confidential, proprietary, and a trade secret of Xandex, Inc. This information may not be used, reproduced or disclosed without the express prior written consent of Xandex, Inc.

REVISIONS

REV	DESCRIPTION	CHANGE NUMBER	BY	DATE	APPROVED
-	SEE SHEET 1				



1125 N. McDOWELL BLVD.
 PETALUMA, CA 95954
 (707) 763 7799

TITLE INKER MODEL 405

FILE NAME 9000104C		DO NOT SCALE DRAWING		
SIZE A	SCALE 1/1	SHEET 2 OF 2	DRAWING NUMBER 900-0104	REV C