


©Copyright 1993, Xandex Inc., All Rights Reserved. The information disclosed herein is deemed to be confidential, proprietary, and a trade secret of Xandex, Inc. This information may not be used, reproduced or disclosed without the expressed prior written consent of Xandex, Inc.

REVISIONS

REV	DESCRIPTION	ECO	BY	DATE	APPROVED
A	INITIAL RELEASE	584	JT	4/16/93	
B	REVISED SPACER MOUNTING	624	KM	7/29/93	

NOTES:

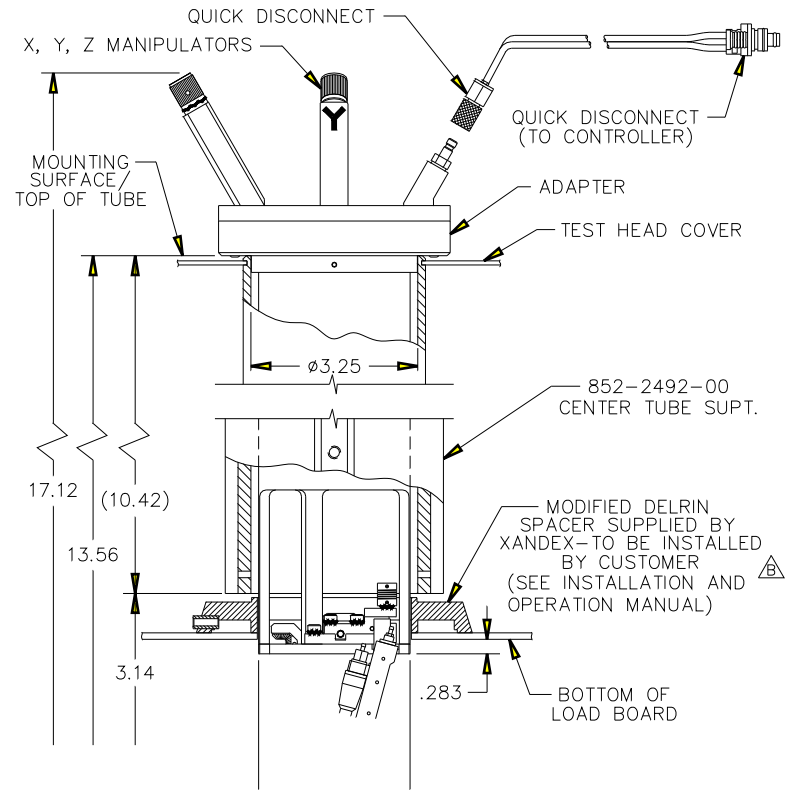
1. INKER IS DESIGNED FOR USE ON LTX HT AND HI-T TEST HEADS. TEST HEAD MUST BE RETRO-FITTED WITH THE XANDEX DELRIN SPACER PART NUMBER 120-0059, REPLACING THE EXISTING LTX SPACER, PART NUMBER 851-6914-00.
2. X, Y ADJUSTMENT IS ± 0.062 . Z ADJUSTMENT CAPABILITY IS ± 0.125 PLUS AN ADDITIONAL $.10$ ADJUSTMENT TO ACCOMMODATE PROBE TIPS LONGER THAN $.080$.
3. INKER IS DESIGNED FOR USE WITH THE OPTEM HF-65 MICROSCOPE WITH A $0.7X-4.5X$ OBJECTIVE LENS. MINIMUM WORKING DISTANCE IS $90mm (3.50")$.
4. ORDER INKER KIT X3300 (PART NUMBER 340-3300).


FILE NAME 9000149B	ITEM	QTY	PART NUMBER	DESCRIPTION
UNLESS OTHERWISE SPECIFIED	SIGNATURES		DATE	 1125 N. McDOWELL BLVD. PETALUMA, CA 95954 (707) 763 7799
DIMENSIONS ARE IN INCHES TOLERANCES ON: 2 PL. DECIMALS \pm 3 PL. DECIMALS \pm ANGLES \pm FRACTIONS \pm	DRAWN J. TEMPLETON		3/22/93	
MATERIAL: HEAT TREAT OR PLATING	CHECKED	ENGRG		TITLE INKER SERIES 3000, LTX REMOTE ADJUST PNEUMATIC
	NEXT ASSY'S			SIZE A FSCM NO DWG NO 900-0149 REV B
	SCALE 1/2		SHEET 1	OF 2

©Copyright 1993, Xandex Inc., All Rights Reserved. The information disclosed herein is deemed to be confidential, proprietary, and a trade secret of Xandex, Inc. This information may not be used, reproduced or disclosed without the expressed prior written consent of Xandex, Inc.

REVISIONS

REV	DESCRIPTION	ECO	BY	DATE	APPROVED
-	SEE SHEET 1				



		TITLE INKER SERIES 3000, LTX REMOTE ADJUST PNEUMATIC	
SIZE A	FSCM NO	DWG NO 900-0149	REV B
SCALE 1/2	FILE NAME 9000149B	SHEET 2	OF 2