


©Copyright 1995, Xandex Inc., All Rights Reserved.  
 The information disclosed herein is deemed to be confidential, proprietary, and a trade secret of Xandex, Inc. This information may not be used, reproduced or disclosed without the express prior written consent of Xandex, Inc.

## REVISIONS

REV	DESCRIPTION	CHANGE NUMBER	BY	DATE	APPROVED
A	INITIAL RELEASE	0337	JMG	08/12/97	JG
B	REV TO MAG BASE	1801	RAP	04/30/99	JG
C	REV TO NEW DWG FORMAT	D137	RAP	06/01/99	JG

### NOTES:

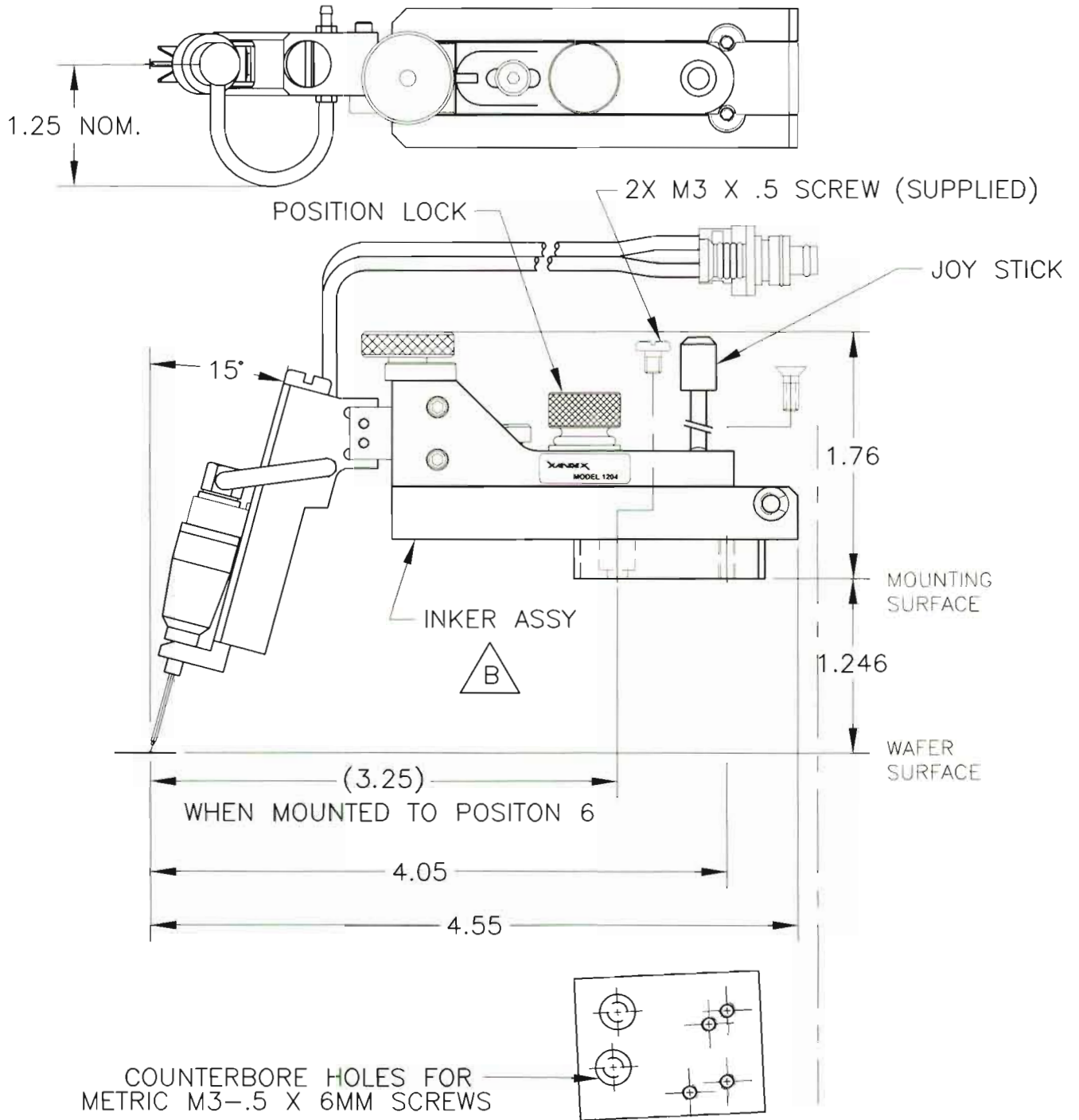
1. THIS INKER IS FOR A KLA PROBER WITH MOUNTING HOLES FOR 5IN 6IN WAFERS.
2. THIS INKER USES THE DM-2 CARTRIDGE ONLY.
3. INKER ARM IS ADJUSTABLE ALONG THE "Z" AXIS BY  $\pm .188$ .
4. JOYSTICK PROVIDES "X" AND "Y" AXIS MOVEMENT AT THE TIP OF THE CARTRIDGE NEEDLE.
5. ALL DIMENSIONS SHOWN WITH ADJUSTMENTS IN NEUTRAL POSITION.
6. INKER MOUNTS TO THE PROBER USING TWO M3 X .5 X 6MM PAN HEAD SLOTTED SCREWS (SUPPLIED).

APPROVALS	DATE	ITEM	QTY	PART NUMBER	DESCRIPTION
DRAWN JAMES G.	08/12/97	INTERPRET DRAWING PER ASME Y14.5M-1994			 1125 N. McDOWELL BLVD. PETALUMA, CA 94954 (707) 763 7799
CHECKED <i>Thicker</i>	6/2/99	TOLERANCES UNLESS OTHERWISE SPECIFIED			
D.C. <i>SA</i>	6/3/99	DIMENSIONS ARE IN INCHES			TITLE PNEUMATIC INKER, X1204 (KIT #340-1204)
ENGRG JAMES G.	08/26/97	DECIMALS			
MFG ENGRG <i>[Signature]</i>	6/3/99	NEXT ASSEMBLIES:..... USED ON			DO NOT SCALE DRAWING
		1 PL $\pm$	FRACTIONS $\pm$		
		2 PL $\pm .010$	ANGLES $\pm 1^\circ$		
		3 PL $\pm .005$			
		4 PL $\pm$	63 $\sqrt$ ALL SURFACES		
		SIZE	SCALE	SHEET	DRAWING NUMBER
		A	1/1	1 OF 2	900-0196
					REV
					C

©Copyright 1995, Xandex Inc., All Rights Reserved.  
 The information disclosed herein is deemed to be confidential, proprietary, and a trade secret of Xandex, Inc. This information may not be used, reproduced or disclosed without the express prior written consent of Xandex, Inc.

REVISIONS

REV	DESCRIPTION	CHANGE NUMBER	BY	DATE	APPROVED
-	SEE SHEET 1	-	-	-	-



1125 N. McDOWELL BLVD.  
 PETALUMA, CA 94954  
 (707) 763 7799

TITLE PNEUMATIC INKER, X1204  
 (KIT #340-1204)

SEE SHEET 1 FOR NOTES AND TOLERANCE INFORMATION

DO NOT SCALE DRAWING

SIZE	SCALE	SHEET
A	1/1	2 OF 2

DRAWING NUMBER
900-0196

REV
C