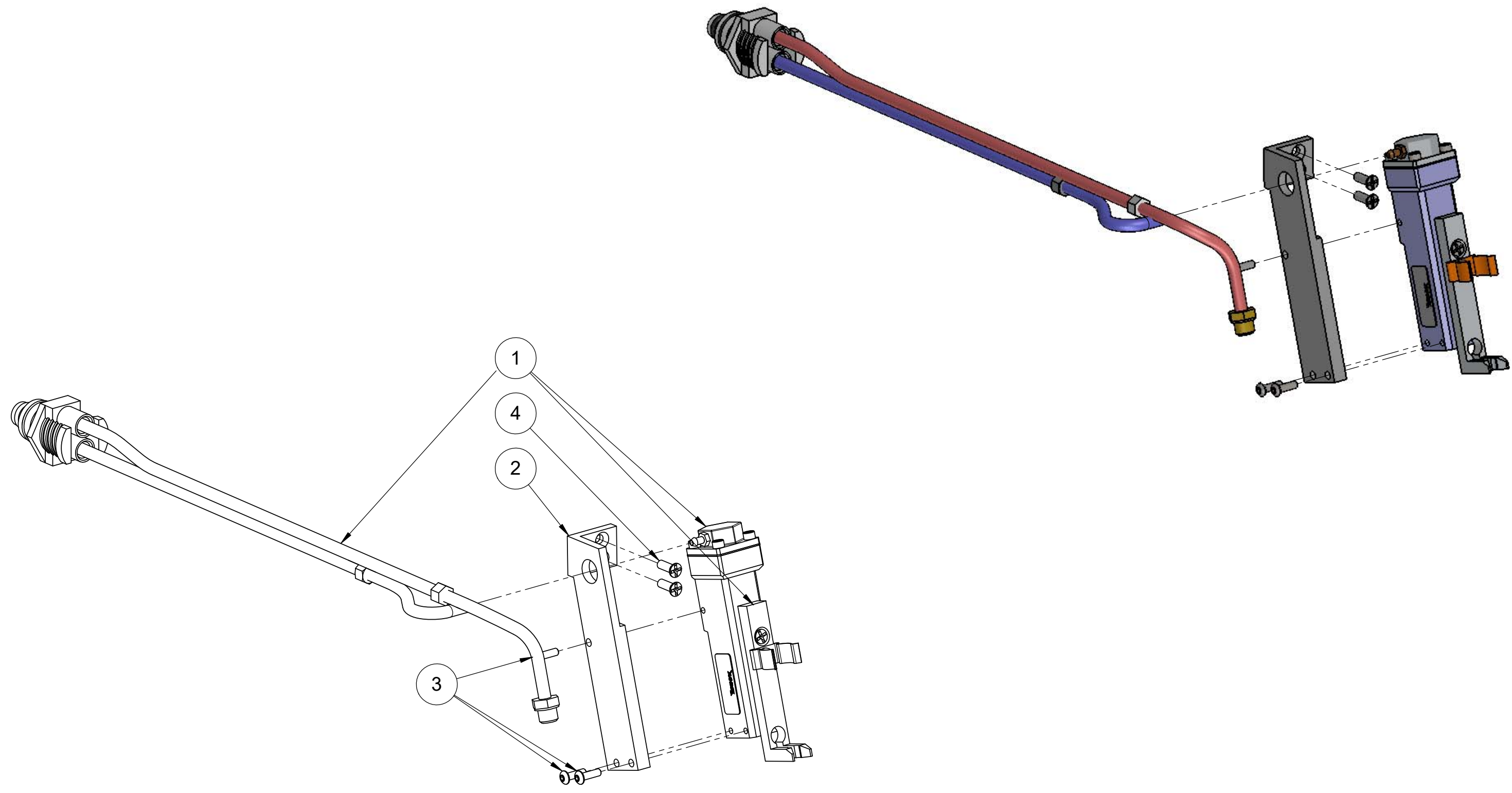



© Copyright Xandex Inc., All Rights Reserved. The information disclosed herein is deemed to be confidential, proprietary, and a trade secret of Xandex, Inc. This information may not be used, reproduced or disclosed without the expressed prior written consent of Xandex, Inc.

REVISIONS					
REV	DESCRIPTION	CHANGE NUMBER	BY	DATE	APPROVED
A	INITIAL RELEASE (2)	4526	MRW	05/16/22	



NOTES:

1. LOOSELY ASSEMBLE SHUTTLE (ITEM 1) TO BRACKET (ITEM 2) USING SCREWS (ITEM 3).
2. PLACE SCREWS (ITEM 4) IN 3X5 BAG (ITEM 7).

APPROVALS	DATE	INTERPRET DRAWING PER ASME Y14.5M-1994		 1360 REDWOOD WAY, SUITE A PETALUMA, CA 94954 (707) 763-7799	
DRAWN	MRW 2/22/2022	TOLERANCES		TITLE	
CHECKED	File Approved per DCA#147	UNLESS OTHERWISE SPECIFIED DIMENSIONS ARE IN INCHES		KIT, PNEU SHUTTLE RETROFIT - X4215	
ENGRG	J. THOMAS 2/22/2022	DECIMALS	FRACTIONS ±	DO NOT SCALE DRAWING	
NEXT ASSEMBLIES.....USED ON		1 PL ±	ANGLES ±	SIZE	SCALE
		2 PL ±		B	1:1
		3 PL ±	✓ ALL SURFACES	SHEET	SHEET
				1 OF 1	1 OF 1
				DRAWING NUMBER	REV
				355-1121	A

