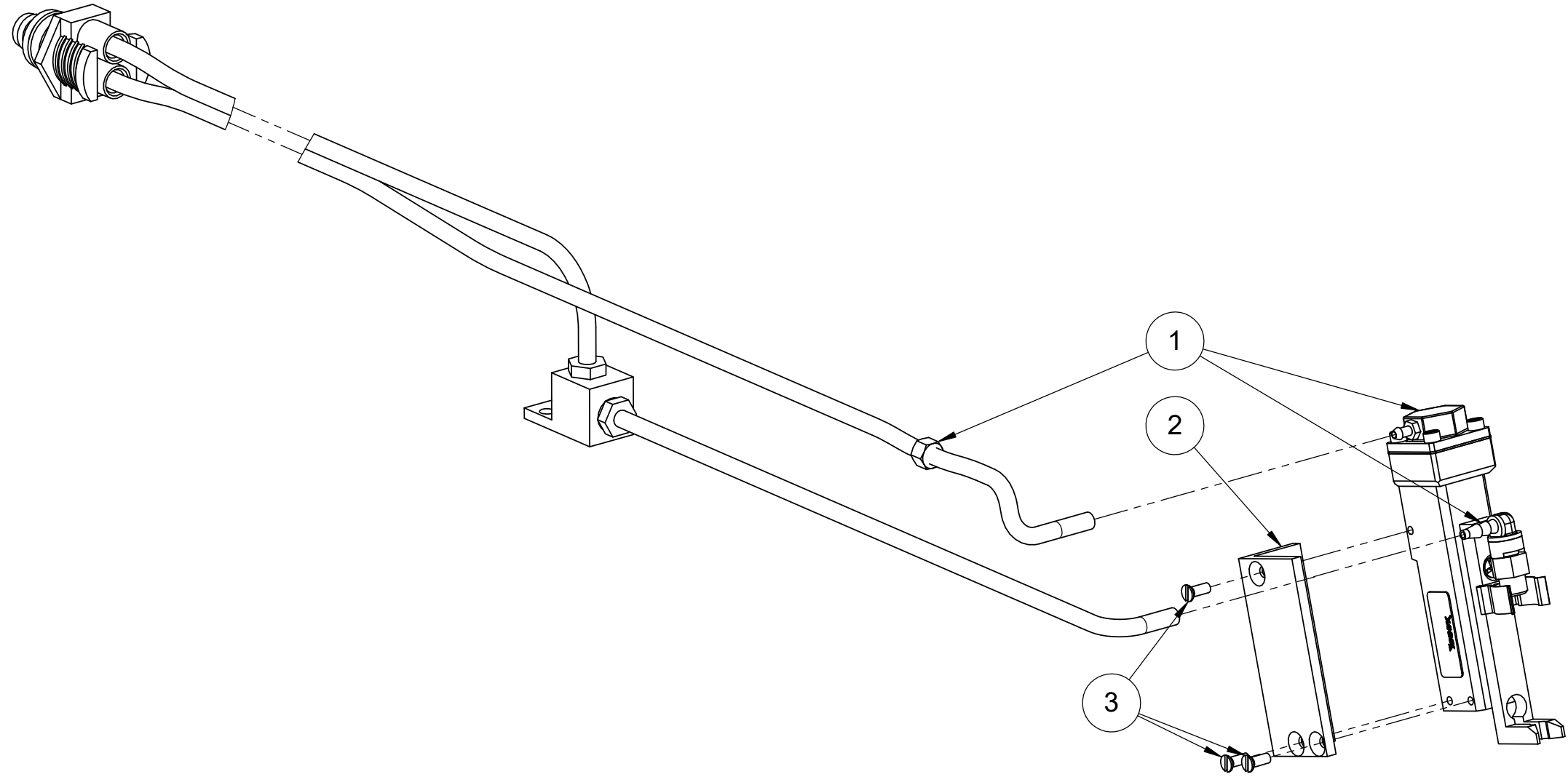


© Copyright Xandex Inc., All Rights Reserved. The information disclosed herein is deemed to be confidential, proprietary, and a trade secret of Xandex, Inc. This information may not be used, reproduced or disclosed without the expressed prior written consent of Xandex, Inc.

REVISIONS					
REV	DESCRIPTION	CHANGE NUMBER	BY	DATE	APPROVED
A	INITIAL RELEASE	4526	MRW	05/16/22	



NOTES:

1. LOOSELY ASSEMBLE SHUTTLE (ITEM 1) TO BRACKET (ITEM 2) USING SCREWS (ITEM 3).

APPROVALS	DATE
DRAWN	MRW - 4/27/2022
CHECKED	File Approved per DCA#147
ENGRG	J. THOMAS - 4/26/2022
NEXT ASSEMBLIES.....USED ON	
THIRD ANGLE PROJECTION	

INTERPRET DRAWING PER ASME Y14.5M-1994	
TOLERANCES UNLESS OTHERWISE SPECIFIED DIMENSIONS ARE IN INCHES	
DECIMALS	FRACTIONS ±
1 PL ±	ANGLES ±
2 PL ±	✓ ALL SURFACES
3 PL ±	

		1360 REDWOOD WAY, SUITE A PETALUMA, CA 94954 (707) 763-7799	
TITLE			
KIT, PNEU SHUTTLE RETROFIT - X1413			
DO NOT SCALE DRAWING			
SIZE	SCALE	SHEET	DRAWING NUMBER
B	1:1	1 OF 2	355-1123
			REV
			A

8

7

6

5

4

3

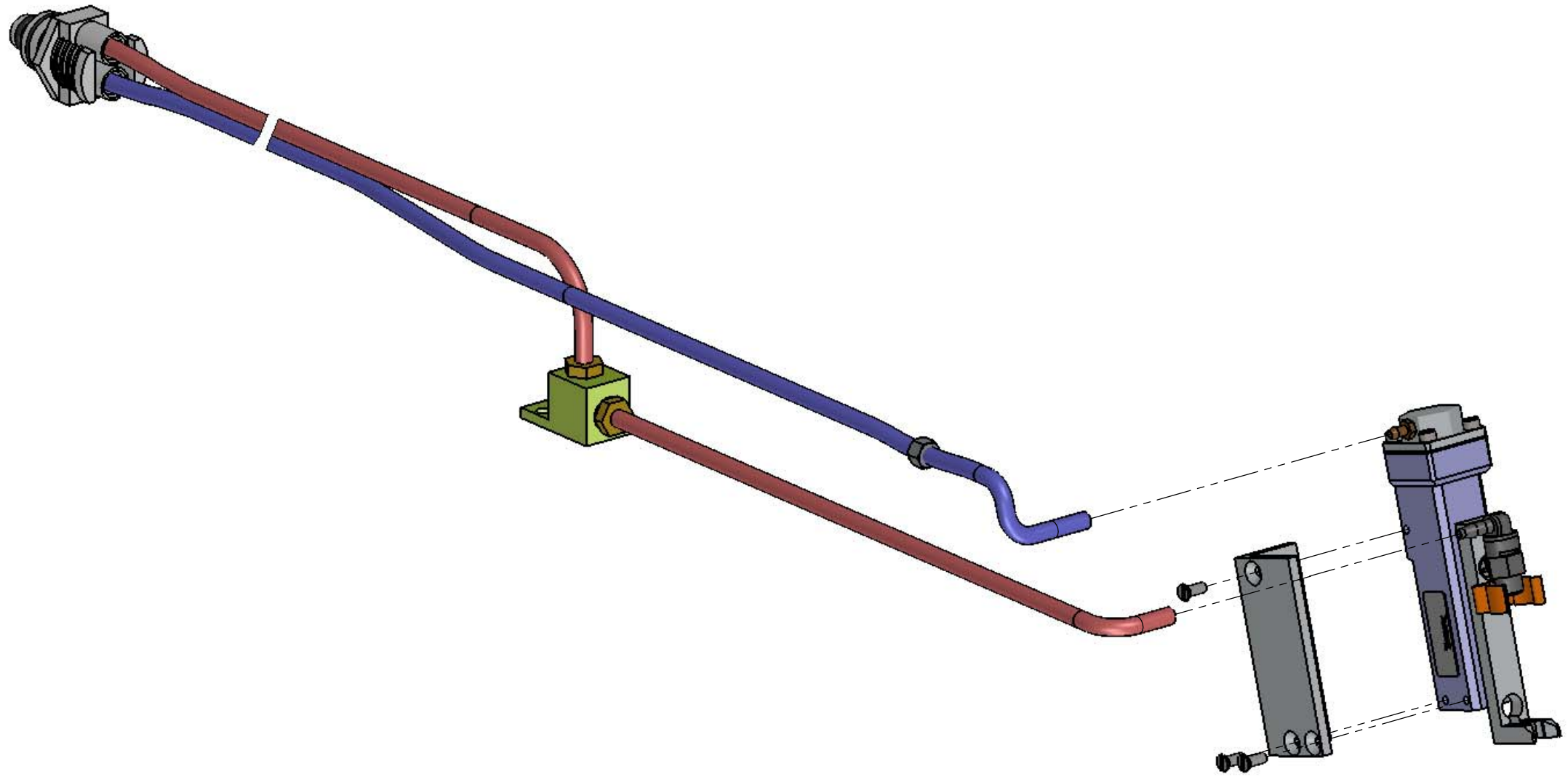
2

1

© Copyright Xandex Inc., All Rights Reserved. The information disclosed herein is deemed to be confidential, proprietary, and a trade secret of Xandex, Inc. This information may not be used, reproduced or disclosed without the expressed prior written consent of Xandex, Inc.

REVISIONS

REV	DESCRIPTION	CHANGE NUMBER	BY	DATE	APPROVED
—	SEE SHEET 1	—	—	—	—



XANDEX INC. 1360 REDWOOD WAY, SUITE A
 PETALUMA, CA 94954
 (707) 763-7799

TITLE
**KIT, PNEU SHUTTLE RETROFIT
 - X1413**

DO NOT SCALE DRAWING

SIZE	SCALE	SHEET	DRAWING NUMBER	REV
B	1:1	2 OF 2	355-1123	A

8

7

6

5

4

3

2

1