

©Copyright Xandex Inc., All Rights Reserved.
 The information disclosed herein is deemed to be confidential, proprietary, and a trade secret of Xandex, Inc. This information may not be used, reproduced or disclosed without the express prior written consent of Xandex, Inc.

REVISIONS

REV	DESCRIPTION	CHANGE NUMBER	BY	DATE	APPROVED
B	REDRAW, SHOW NEW BASE	900	JMc	7/23/96	DT
C	NOTE 5 WAS "FORE & AFT"	1590	JMc	12/12/97	DT
D	REV TO MAG BASE	1801	RAP	04/29/99	

NOTES:

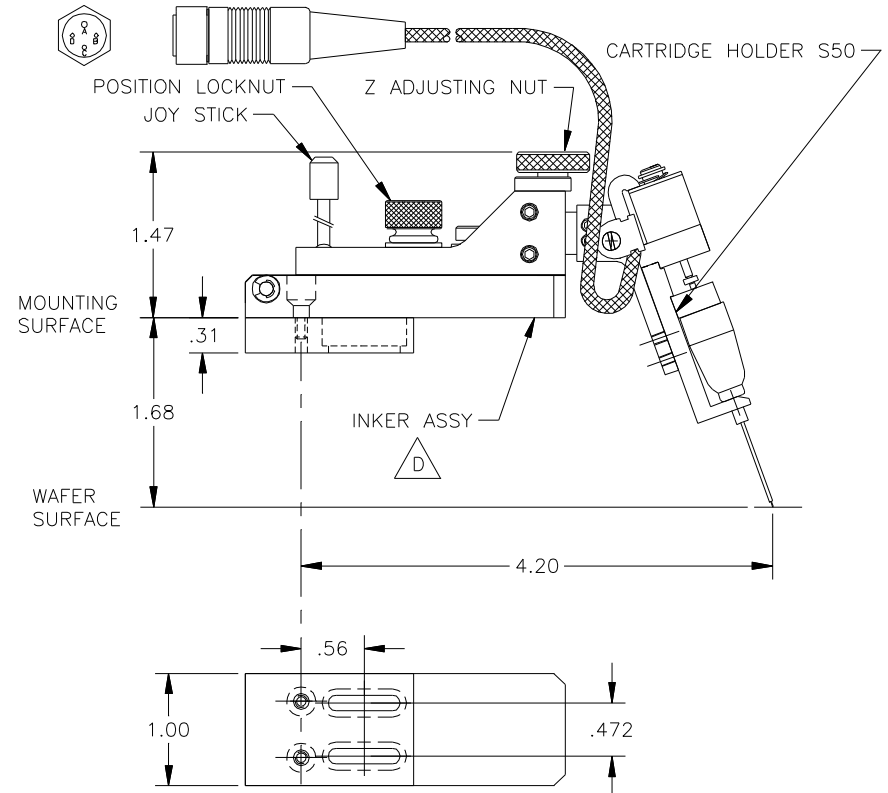
- FOR USE WITH KLA PROBER MODELS 1007,1011, 1200 AND 1220. CABLED PROBING AND HIGH-SPEED OFF-LINE INKING APPLICATIONS.
- MOUNTING PLATE IS CONNECTED TO PROBER INSERT RING USING TWO M3 X .5 X 6MM PAN HEAD SLOTTED SCREWS (SUPPLIED).
- THIS INKER USES THE DM-1 CARTRIDGE ONLY.
- THE MOUNTING ARM IS ADJUSTABLE ALONG THE 'Z' AXIS BY $\pm .187$.
- THE JOY STICK PROVIDES 'X' AND 'Y' AXIS MOVEMENT AT THE TIP OF THE CARTRIDGE NEEDLE.
- ALL DIMENSIONS SHOWN WITH ADJUSTMENTS IN NEUTRAL POSITION. A SECOND SET OF HOLES IS PROVIDED FOR THE THUMB SCREW AND JOY STICK, TO ALLOW THE BODY TO BE REPOSITIONED .250 FORWARD.

FILE NAME 9000109D	ITEM	QTY	PART NUMBER	DESCRIPTION
APPROVALS	DATE	INTERPRET DRAWING PER ANSI Y14.5 - 1982		
DRAWN JMc	7/23/96	TOLERANCES UNLESS OTHERWISE SPECIFIED		
CHECKED		DIMENSIONS ARE IN INCHES		
DATE		DECIMALS		
ENGRG DAVE T.	9/16/96	TITLE INKER MODEL 603 (KIT #330-1603)		
DATE		DO NOT SCALE DRAWING		
ENGRG		1 PL ±	FRACTIONS ±	SIZE A
		2 PL ±	ANGLES ±	SCALE 1/1
		3 PL ±		SHEET 1 OF 2
		4 PL ±	✓ ALL SURFACES	DRAWING NUMBER 900-0109
				REV D

©Copyright Xandex Inc., All Rights Reserved.
 The information disclosed herein is deemed to be confidential, proprietary, and a trade secret of Xandex, Inc. This information may not be used, reproduced or disclosed without the express prior written consent of Xandex, Inc.

REVISIONS

REV	DESCRIPTION	CHANGE NUMBER	BY	DATE	APPROVED
-	SEE SHEET 1	-	-	-	-



		TITLE INKER MODEL 603 (KIT #330-1603)		
1125 N. McDOWELL BLVD. PETALUMA, CA 94954 (707) 763 7799		FILE NAME 9000109D	DO NOT SCALE DRAWING	
SIZE A	SCALE 1/1	SHEET 2 OF 2	DRAWING NUMBER 900-0109	REV D