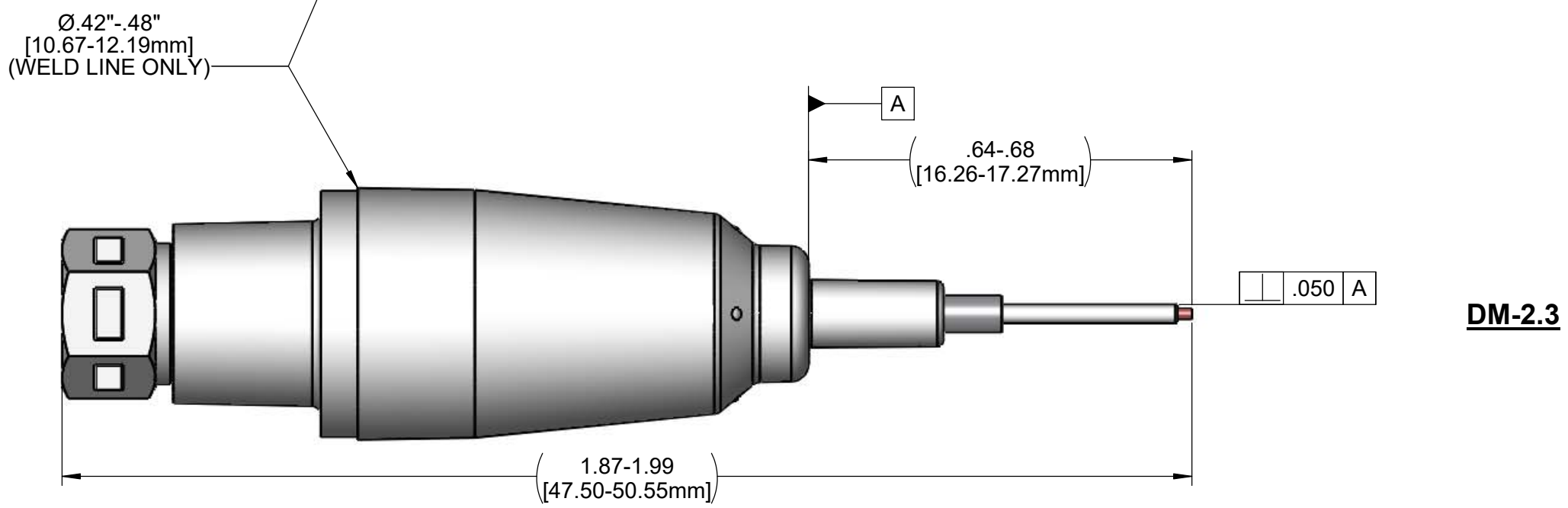
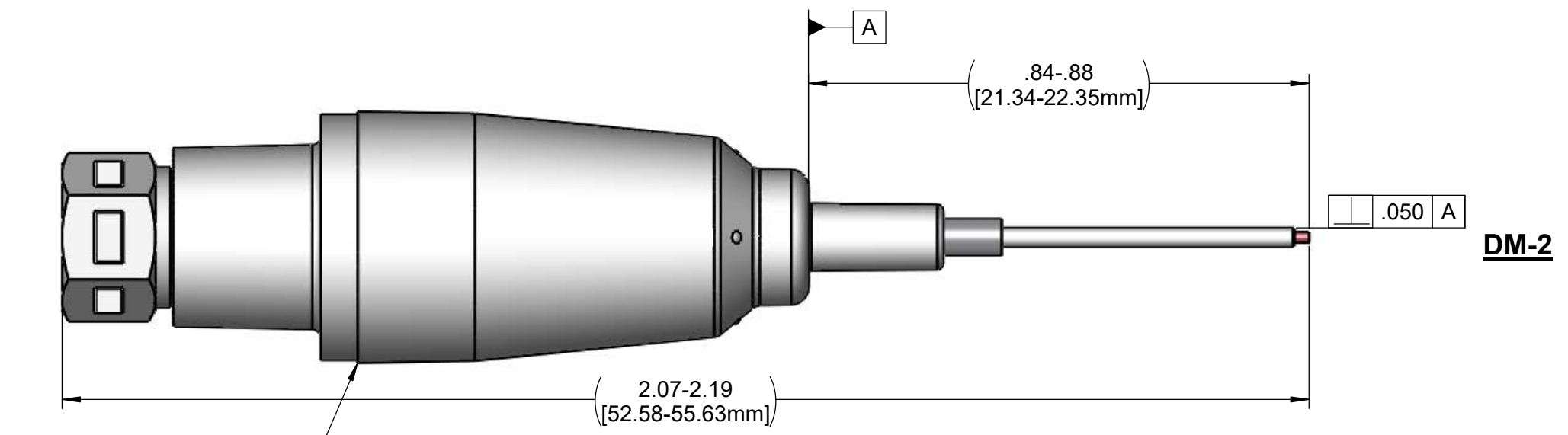
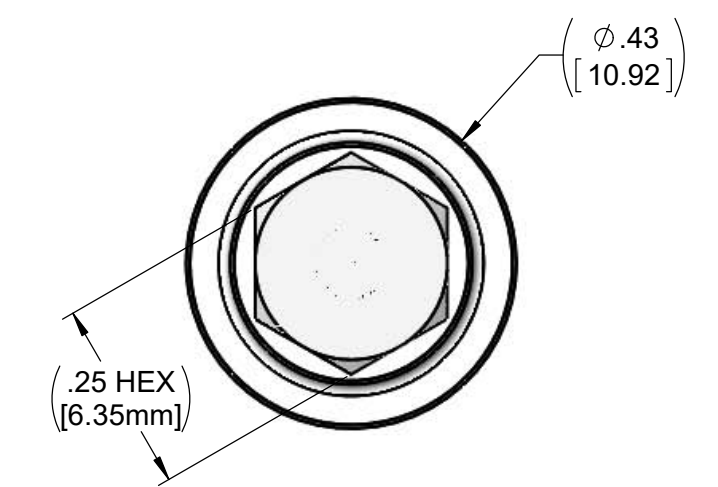
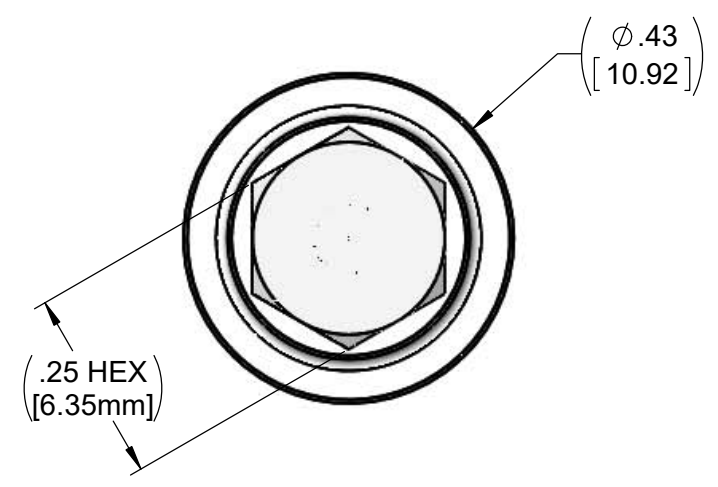


© Copyright Xandex Inc., All Rights Reserved. The information disclosed herein is deemed to be confidential, proprietary, and a trade secret of Xandex, Inc. This information may not be used, reproduced or disclosed without the expressed prior written consent of Xandex, Inc.

REVISIONS					
REV	DESCRIPTION	CHANGE NUMBER	BY	DATE	APPROVED
B	ADD A4, REMOVE TEFLON TUBE ID	4566	MRW	12/05/22	



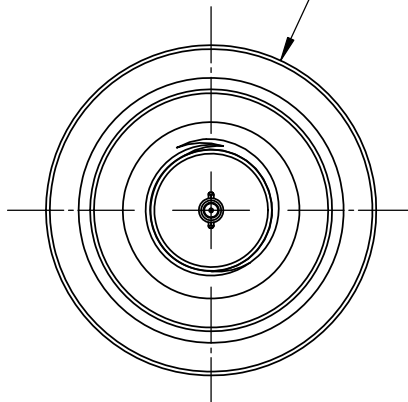
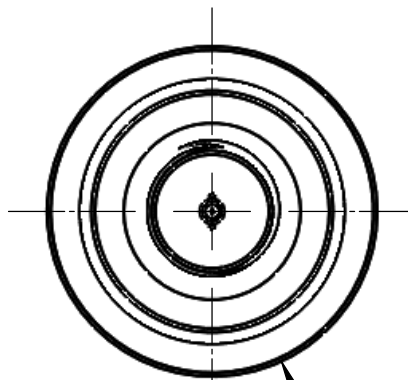
AS SHIPPED CONDITION
(CLOSED)

NOTES:
1. ALL DIMENSIONS ARE NOMINAL, UNLESS TOLERANCES ARE SPECIFIED.

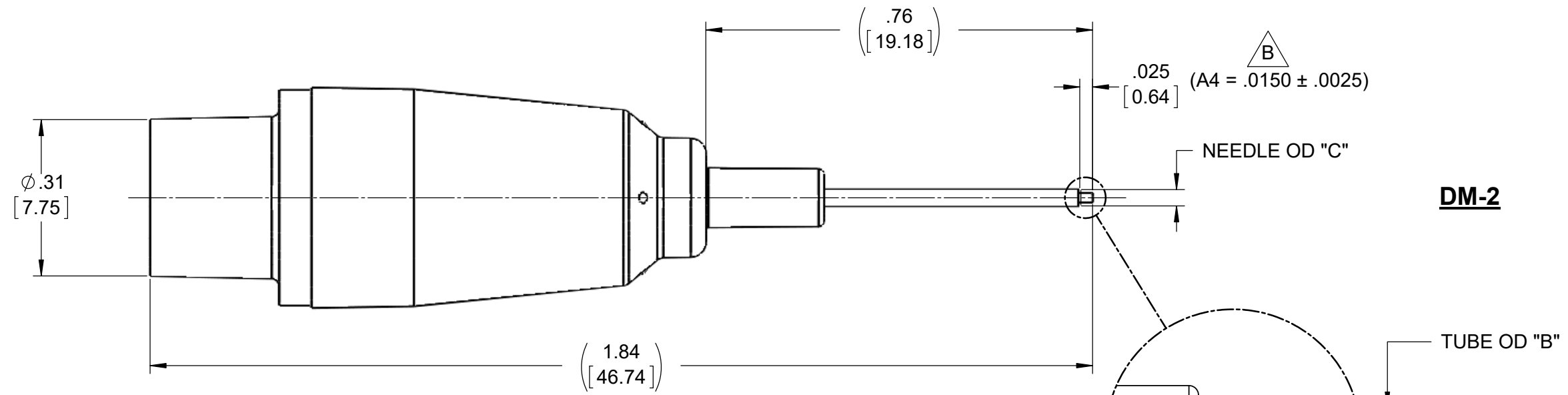
APPROVALS	DATE	INTERPRET DRAWING PER ASME Y14.5M-1994		1360 REDWOOD WAY, SUITE A PETALUMA, CA 94954 (707) 763-7799	
DRAWN	MRW 6/14/2017	TOLERANCES UNLESS OTHERWISE SPECIFIED DIMENSIONS ARE IN INCHES		TITLE DM-2 & DM-2.3 CARTRIDGE OUTLINE DRAWING	
CHECKED	per DCA#1-5	DECIMALS	DO NOT SCALE DRAWING		
ENGRG	J. BUTLER 6/17/2017	1 PL ±.1 FRACTIONS ±	SIZE	SCALE	SHEET
NEXT ASSEMBLY USED ON		2 PL ±.01 ANGLES ± 1°	D	8:1	1 OF 2
		3 PL ±.005	DRAWING NUMBER		REV
		4 PL ±	901-0037		B
		63 / ALL SURFACES			
		THIRD ANGLE PROJECTION			

© Copyright Xandex Inc., All Rights Reserved. The information disclosed herein is deemed to be confidential, proprietary, and a trade secret of Xandex, Inc. This information may not be used, reproduced or disclosed without the expressed prior written consent of Xandex, Inc.

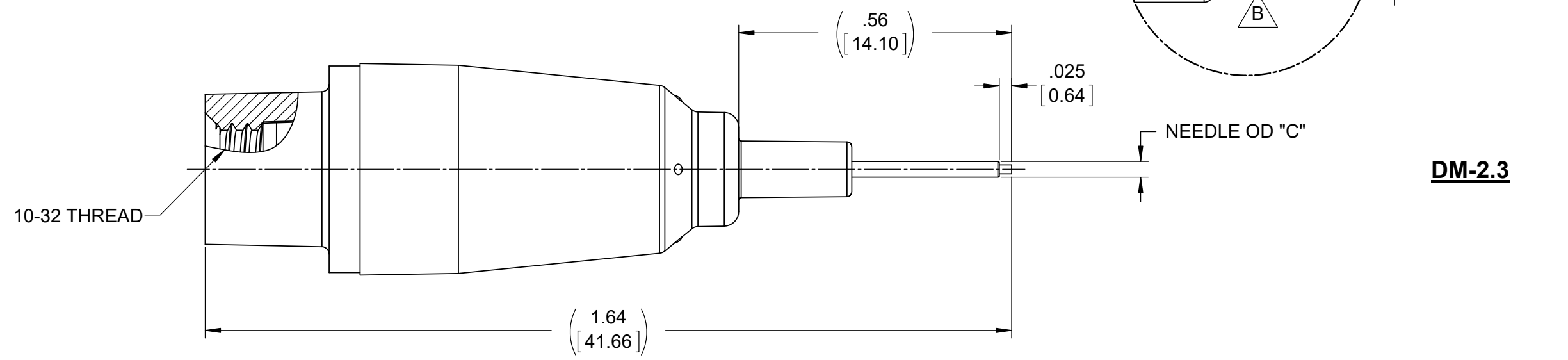
REVISIONS					
REV	DESCRIPTION	CHANGE NUMBER	BY	DATE	APPROVED
—	SEE SHEET 1	—	—	—	—



Ø.43
[10.92]



DM-2



DM-2.3

MODEL	CARTRIDGE SIZE/TYPE	TUBE OD "A"	NEEDLE OD "B"	TUBE COLOR "C"
DM-2/DM-2.3	A5	.018	.032	RED
DM-2/DM-2.3	A6	.018	.032	BLUE
DM-2/DM-2.3	A8	.018	.032	YELLOW
DM-2 ONLY	A4	.007	.028	GREEN

OPEN CONDITION

NOTES:
1. ALL DIMENSIONS ARE NOMINAL, UNLESS TOLERANCES ARE SPECIFIED.

XANDEX INC. 1360 REDWOOD WAY, SUITE A
PETALUMA, CA 94954
(707) 763-7799

TITLE
**DM-2 & DM-2.3 CARTRIDGE
OUTLINE DRAWING**

DO NOT SCALE DRAWING

SIZE D	SCALE 8:1	SHEET 2 OF 2	DRAWING NUMBER 901-0037	REV B
------------------	---------------------	-------------------------------	-----------------------------------	-----------------