



1360 Redwood Way, Suite A
Petaluma, CA. 94954

(707) 763-7799 FAX (707) 763-2631
Toll free in the USA (800) 767-9543

email: info@xandex.com website www.xandexsemi.com

DIEMARK INK CARTRIDGE OPERATION MANUAL ADDENDUM

DIEMARK INK CARTRIDGE OPERATION MANUAL ERRATA

ISSUED: AUGUST 09, 2023
REVISION: 1
MANUAL PART NUMBER: 820-0013
MANUAL REVISION: T

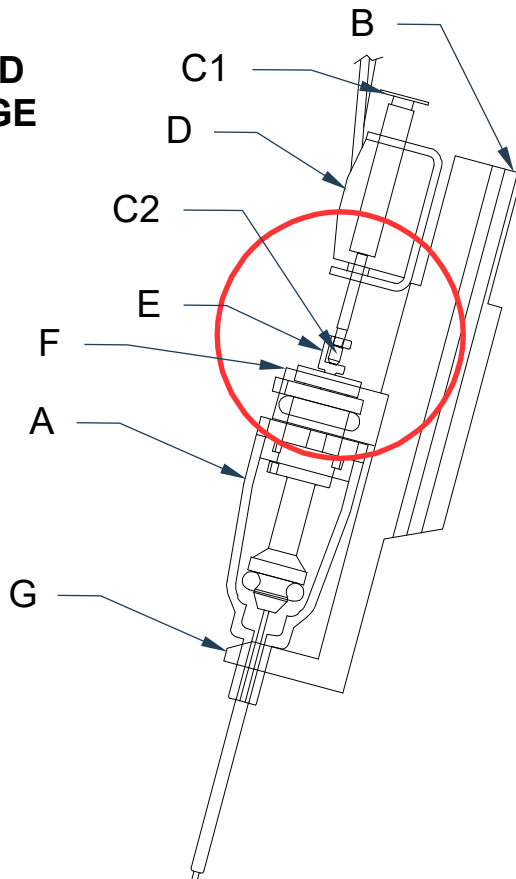
ERRATA DESCRIPTION

This errata describes:
The current manual does not describe how to remove an ink cartridge without damaging the solenoid plunger. If not done correctly, cartridge removal can bend the plunger which will result in inconsistent performance when a new cartridge is installed.

LOCATION

A "Cartridge Removal" instruction will be added after "Cartridge Installation" section on Page 1-6

VIEW OF INSTALLED CARTRIDGE

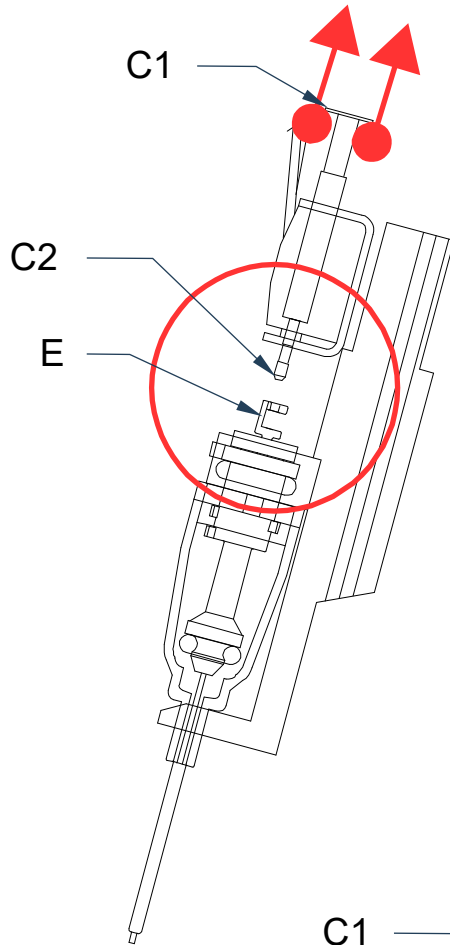


When the cartridge (A) is installed on the holder (B), the plunger (C1-C2) passes through the coil (D) and is captive in the top of the cartridge filament holder (E). Removing the cartridge from the holder with the plunger connected will eventually bend the plunger.

A bent plunger will bind inside the coil and result in inconsistent dot production from the new cartridge.

- A INK CARTRIDGE
- B HOLDER BODY
- C 1 PLUNGER TOP
- C 2 PLUNGER TIP
- D SOLENOID COIL
- E CARTRIDGE FILAMENT HOLDER
- F HOLDER METAL CARTRIDGE CLIP
- G HOLDER DOVETAIL

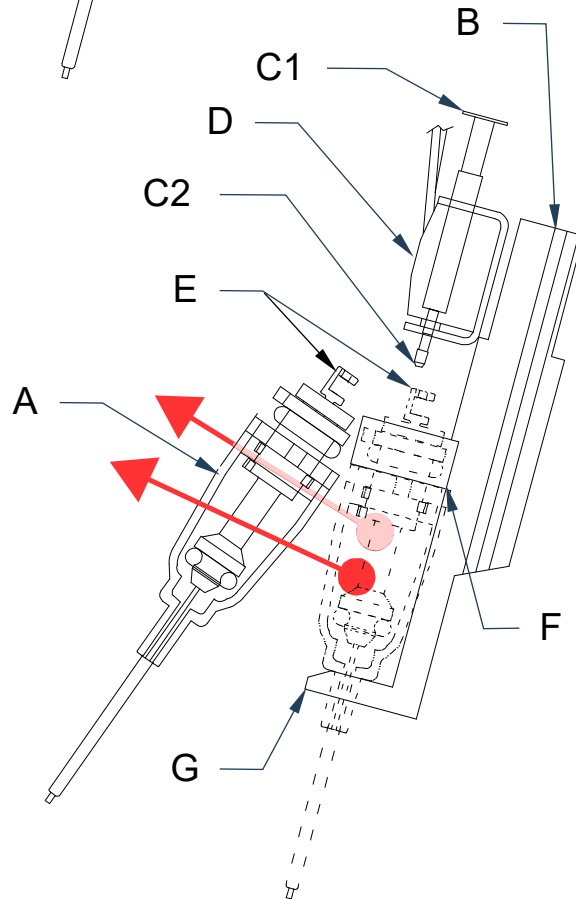
**DISCONNECT
PLUNGER
BEFORE
REMOVING
CARTRIDGE**



NOTE: If Plunger Stop Assembly is installed on the inker, the plunger stop adjustment dial needs to be raised (backed off) until the plunger top (C1) can be lifted enough to disconnect the plunger tip (C2) from the cartridge filament holder (E) .

Before removing the cartridge from the holder, lift the plunger top (C1) until the plunger tip (C2) disconnects from the cartridge filament holder (E).

**CARTRIDGE
REMOVAL
ONLY AFTER
PLUNGER
DISCONNECT**



Once the plunger tip (C2) and the filament holder (E) are separated, remove the bottom of the cartridge (A) from the holder dovetail (G) at the bottom of the holder.

With the ink cartridge (A) free of the dovetail (G) at the bottom of the holder (B), pull the ink cartridge (A) away from the metal cartridge clip (F) until it is free of the clip. Before installing a new cartridge verify that the plunger (C1-C2) moves freely in the coil (D) without binding.