



1125 N. McDowell Blvd. • Petaluma, CA 94954

## Product Applications Note

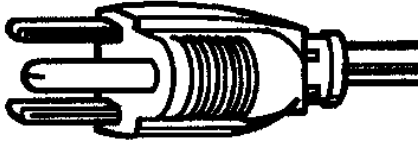
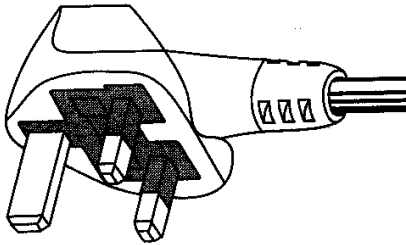
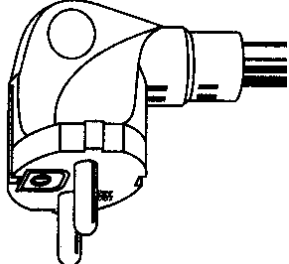
**Effective Date: June 1, 1998**

### Pneumatic Inker Kit Power Cord Change

Effective June 1, 1998, all orders for Xandex Pneumatic Inker Kits must specify one of the following power cords as a separate line item. The cord will then be packaged with the Inker Kit before shipping.

This will enable our overseas distributors to avoid the inconvenience and expense of substituting the appropriate power supply cord for their input voltage and receptacle requirements. When the cord is selected at the time of ordering, it is included in the kit at no additional charge.

### This notice does not effect the current pricing of any Xandex Pneumatic Inker Kit.

Power Cord for USA/Canada Part Number 518-0059	
Power Cord for UK Part Number 518-0407	
Power Cord for Continental Europe Part Number 518-0408	

To order Preventive Maintenance Kits or for more information about power cord applications, contact Xandex Customer Service at (707) 763-7799 or Toll Free in the U.S. (800) 767-9543. FAX (707) 763-2631, or visit us on the Internet at [www.xandex.com](http://www.xandex.com)