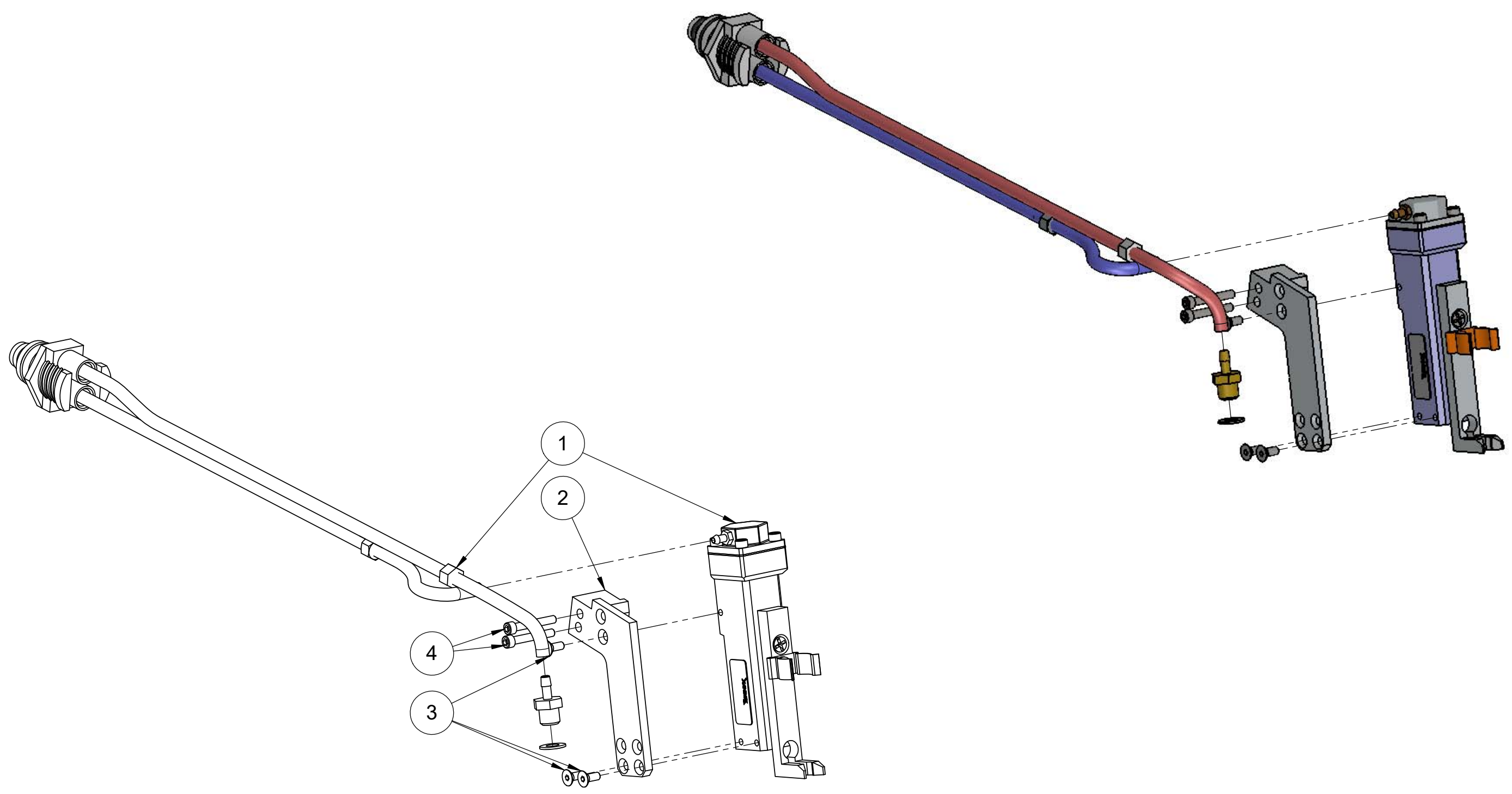



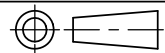
© Copyright Xandex Inc., All Rights Reserved. The information disclosed herein is deemed to be confidential, proprietary, and a trade secret of Xandex, Inc. This information may not be used, reproduced or disclosed without the expressed prior written consent of Xandex, Inc.

REVISIONS					
REV	DESCRIPTION	CHANGE NUMBER	BY	DATE	APPROVED
A	INITIAL RELEASE (2)	4526	MRW	05/16/22	



NOTES:

1. LOOSELY ASSEMBLE SHUTTLE (ITEM 1) TO BRACKET (ITEM 2) USING SCREWS (ITEM 3).
2. PLACE SCREWS (ITEM 4) IN 3X5 BAG (ITEM 7).

APPROVALS	DATE	<b>INTERPRET DRAWING PER ASME Y14.5M-1994</b>  <b>TOLERANCES</b> UNLESS OTHERWISE SPECIFIED DIMENSIONS ARE IN INCHES	 1360 REDWOOD WAY, SUITE A PETALUMA, CA 94954 (707) 763-7799				
DRAWN	MRW - 2/22/2022		DECIMALS 1 PL ± 2 PL ± 3 PL ±	FRACTIONS ± ANGLES ±  ✓ ALL SURFACES	<b>TITLE</b> <b>KIT, PNEU SHUTTLE RETROFIT - X1412</b>		
CHECKED	File Approved per DCA#147				<b>DO NOT SCALE DRAWING</b>		
ENGRG	J. THOMAS - 2/22/2022	NEXT ASSEMBLIES.....USED ON	SIZE <b>B</b>	SCALE <b>1:1</b>	SHEET <b>1 of 1</b>	DRAWING NUMBER <b>355-1120</b>	REV <b>A</b>
 THIRD ANGLE PROJECTION							